

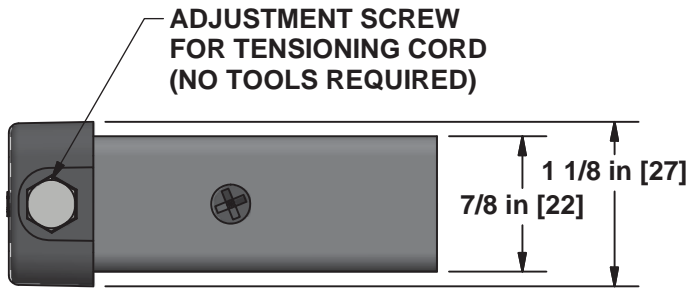
SIDE VIEW

FRONT VIEW/VIEWING SIDE

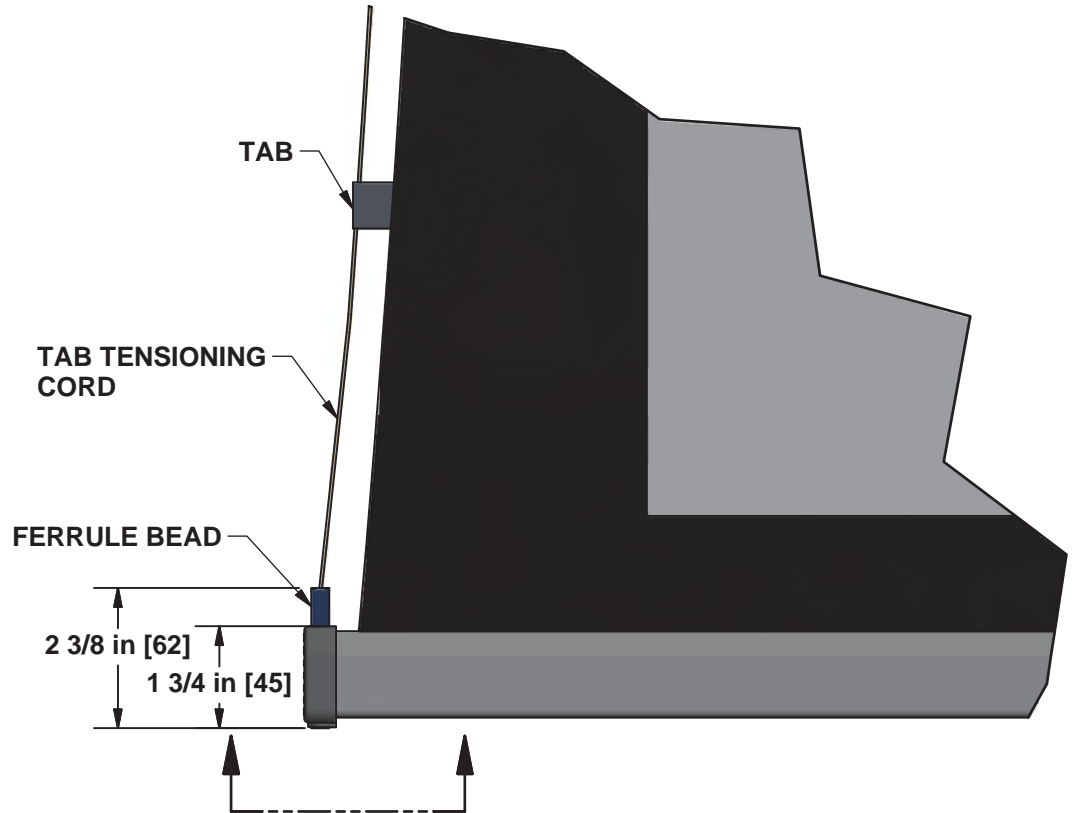
NOTE: DARK COLORS HAVE BEEN LIGHTENED FOR CLARITY PURPOSES

RESTRICTION: The information contained in the proposal is confidential and proprietary to Stewart Filmscreen Corporation, shall not be disclosed beyond the vendor company, and shall not be duplicated, used, or disclosed in whole or in part for any purpose except to evaluate this proposal.

DIMENSIONS ARE Inches [mm]		DRAWN BY:		Stewart FILMSCREEN 1161 W. Sepulveda Blvd., Torrance, CA 90502 Customer Care (800) 762-4999 Fax (310) 326-6870	
TOLERANCES: +/- 1/8 in (UNLESS OTHERWISE SPECIFIED)		Engineering			
APPROXIMATE SCREEN WEIGHT:		DRAWING TYPE:		TITLE	
75 LBS		Typical			
APPROXIMATE SHIPPING WEIGHT:		CREATION DATE:		CIMA BELOW CEILING	
173 LBS		4/14/15			
MODEL #:		CIBC138SW-6-2-5			
CASE COLOR:		SIZE	SHEET	PART NO.	REV.
White		A	1 OF 7	00930	A



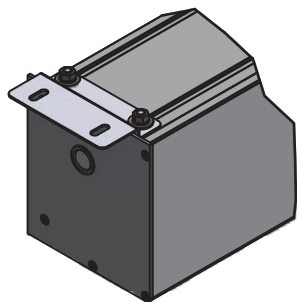
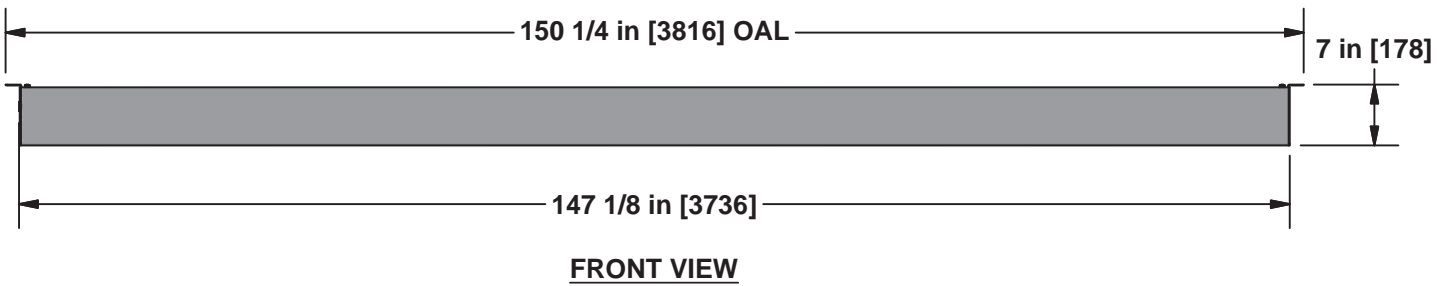
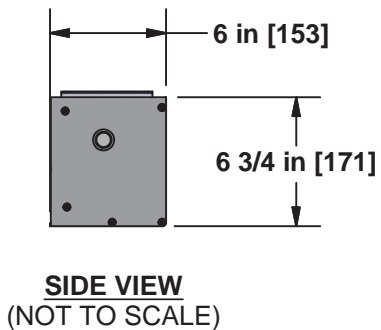
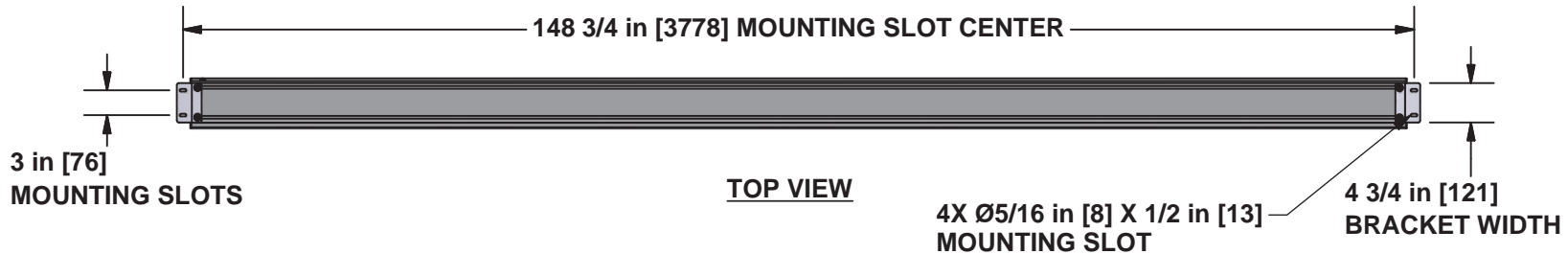
BATTEN END CAP
REFLECTED CEILING VIEW



BATTEN DETAIL
TAB TENSIONING VIEW

DIMENSIONS ARE Inches [mm]		DRAWN BY:		Stewart FILMSCREEN 1161 W. Sepulveda Blvd., Torrance, CA 90502 Customer Care (800) 762-4999 Fax (310) 326-6870	
TOLERANCES: +/- 1/8 in (UNLESS OTHERWISE SPECIFIED)		Engineering			
APPROXIMATE SCREEN WEIGHT:		DRAWING TYPE:		TITLE CIMA BELOW CEILING	
75 LBS		Typical			
APPROXIMATE SHIPPING WEIGHT:		CREATION DATE:			
173 LBS		4/14/15			
MODEL #:					
CIBC138SW-6-2-5					
CASE COLOR:		SIZE	SHEET	PART NO.	REV.
White		A	2 OF 7	00930	A

RESTRICTION: The information contained in the proposal is confidential and proprietary to Stewart Filmscreen Corporation, shall not be disclosed beyond the vendor company, and shall not be duplicated, used, or disclosed inwhole or in part for any purpose except to evaluate this proposal.

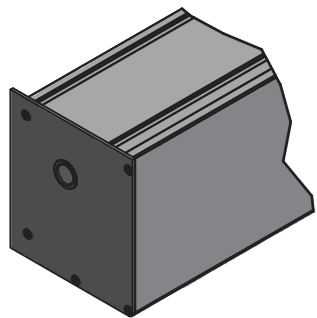
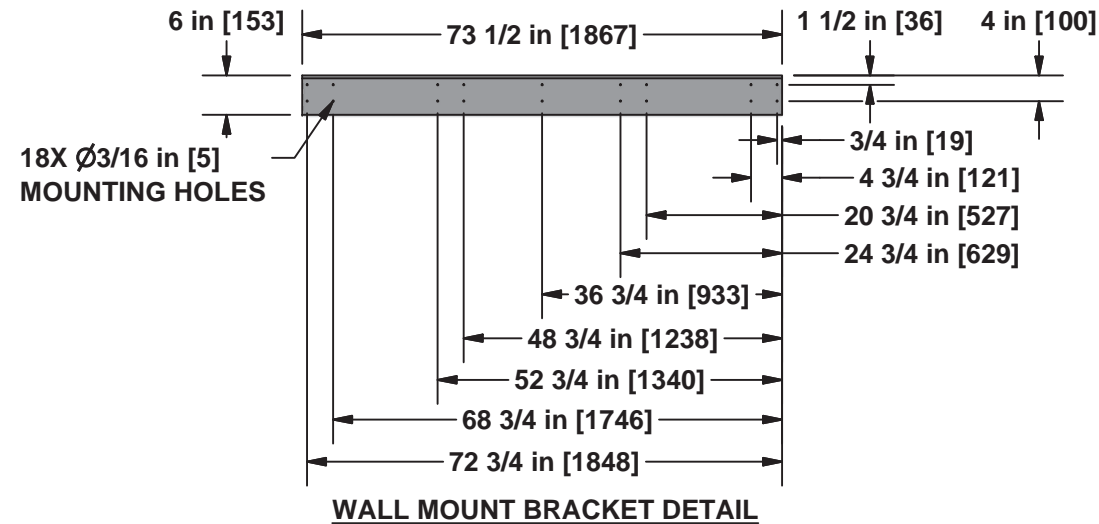
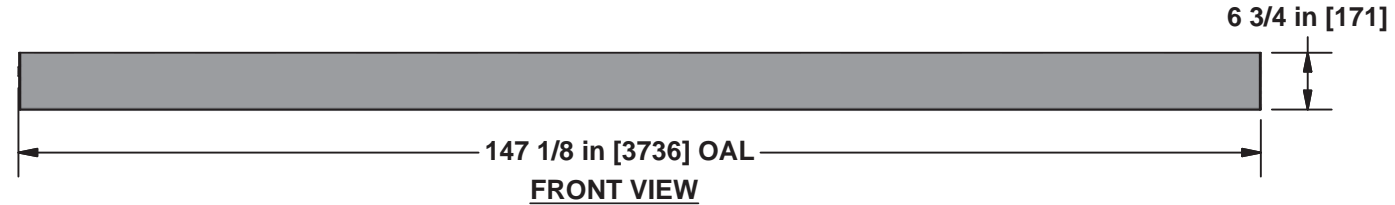
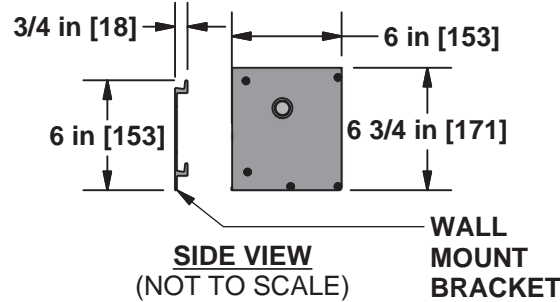
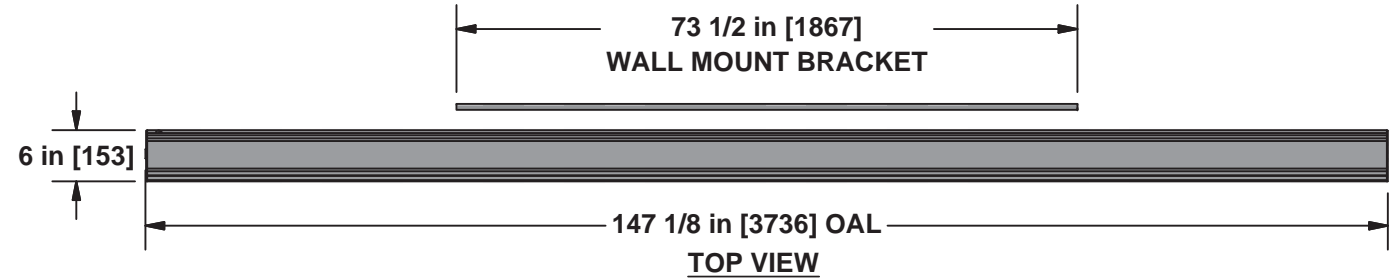


ISOMETRIC VIEW

**MOUNTING BRACKET
CEILING MOUNT**

DIMENSIONS ARE Inches [mm]		DRAWN BY:		Stewart FILMSCREEN 1161 W. Sepulveda Blvd., Torrance, CA 90502 Customer Care (800) 762-4999 Fax (310) 326-6870	
TOLERANCES: +/- 1/8 in (UNLESS OTHERWISE SPECIFIED)		Engineering			
APPROXIMATE SCREEN WEIGHT: 75 LBS		DRAWING TYPE: Typical		TITLE CIMA BELOW CEILING	
APPROXIMATE SHIPPING WEIGHT: 173 LBS		CREATION DATE: 4/14/15			
MODEL #: CIBC138SW-6-2-5					
CASE COLOR: White		SIZE A	SHEET 3 OF 7	PART NO. 00930	REV. A

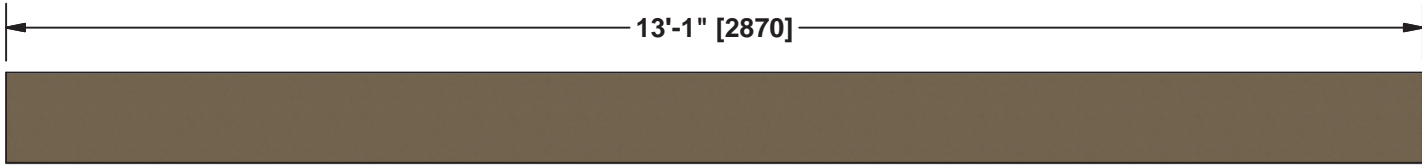
RESTRICTION: The information contained in the proposal is confidential and proprietary to Stewart Filmscreen Corporation, shall not be disclosed beyond the vendor company, and shall not be duplicated, used, or disclosed inwhole or in part for any purpose except to evaluate this proposal.



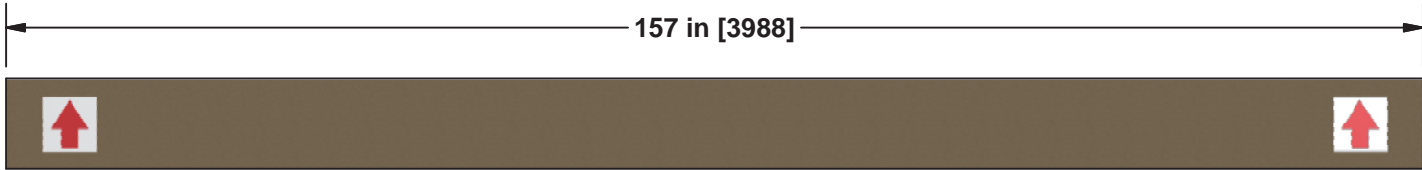
MOUNTING BRACKET WALL MOUNT

DIMENSIONS ARE Inches [mm]		DRAWN BY: Engineering		Stewart FILMSCREEN 1161 W. Sepulveda Blvd., Torrance, CA 90502 Customer Care (800) 762-4999 Fax (310) 326-6870	
TOLERANCES: +/- 1/8 in (UNLESS OTHERWISE SPECIFIED)		DRAWING TYPE: Typical			
APPROXIMATE SCREEN WEIGHT: 75 LBS		CREATION DATE: 4/14/15		TITLE: CIMA BELOW CEILING	
APPROXIMATE SHIPPING WEIGHT: 173 LBS		MODEL #: CIBC138SW-6-2-5		SIZE: A	SHEET: 4 OF 7
CASE COLOR: White				PART NO.: 00930	REV.: A

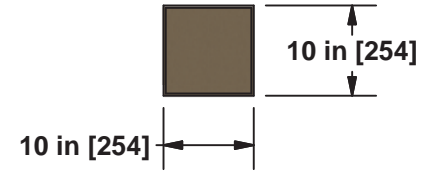
RESTRICTION: The information contained in the proposal is confidential and proprietary to Stewart Filmscreen Corporation, shall not be disclosed beyond the vendor company, and shall not be duplicated, used, or disclosed in whole or in part for any purpose except to evaluate this proposal.



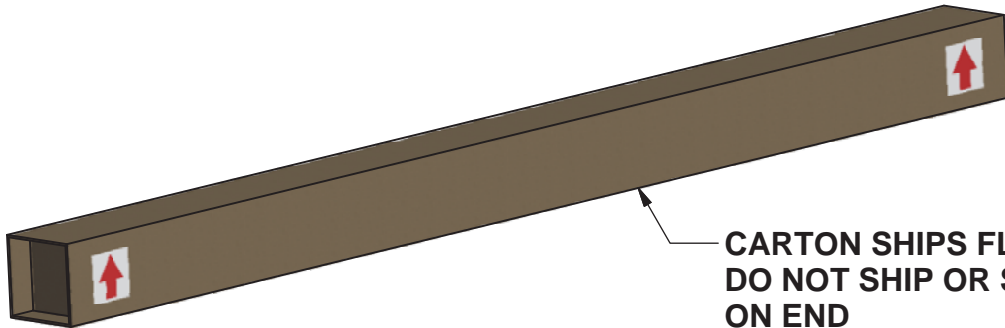
TOP VIEW



FRONT VIEW



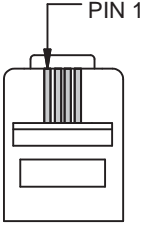
SIDE VIEW



**CARTON SHIPS FLAT
DO NOT SHIP OR STORE
ON END**

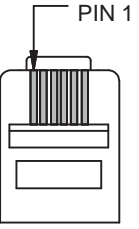
DIMENSIONS ARE Inches [mm]		DRAWN BY: Engineering		Stewart FILMSCREEN 1161 W. Sepulveda Blvd., Torrance, CA 90502 Customer Care (800) 762-4999 Fax (310) 326-6870	
TOLERANCES: +/- 1/8 in (UNLESS OTHERWISE SPECIFIED)		DRAWING TYPE: Typical			
APPROXIMATE SCREEN WEIGHT: 75 LBS		CREATION DATE: 4/14/15		TITLE CIMA BELOW CEILING	
APPROXIMATE SHIPPING WEIGHT: 173 LBS		MODEL #: CIBC138SW-6-2-5			
CASE COLOR: White		SIZE A	SHEET 5 OF 7		

RESTRICTION: The information contained in the proposal is confidential and proprietary to Stewart Filmscreen Corporation, shall not be disclosed beyond the vendor company, and shall not be duplicated, used, or disclosed in whole or in part for any purpose except to evaluate this proposal.



4 PIN:

PIN	SIGNAL
1	COMMON
2	LV1
3	LV2
4	STI

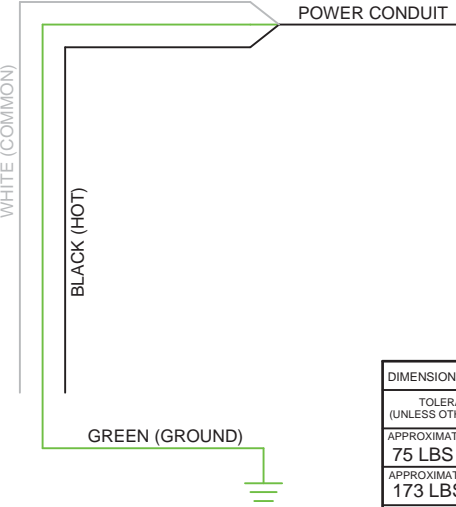
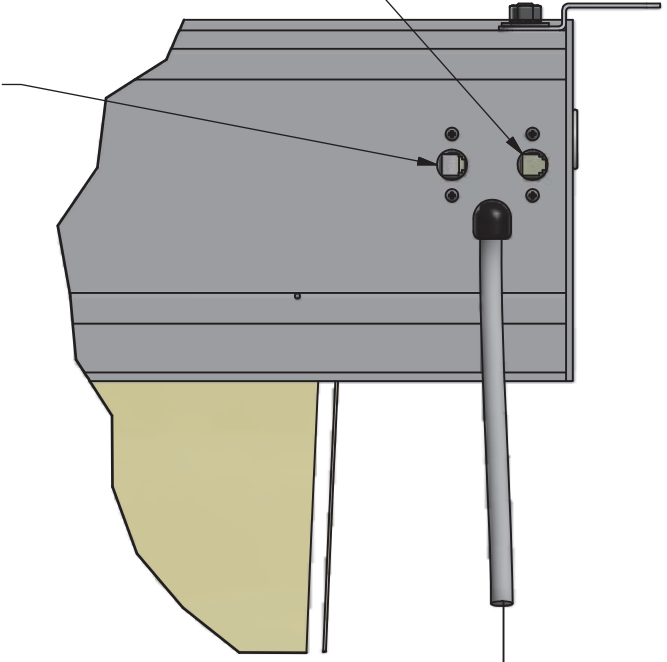


6 PIN:

PIN	SIGNAL
1	NOT USED
2	COMMON
3	LV1
4	LV2
5	STI
6	NOT USED

ADDITIONAL RJ25 CONNECTION PORT FOR OPTIONAL CONTROLS

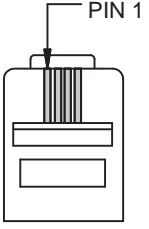
STI INPUT 4 PIN OR 6 PIN RJ25 CONNECTOR SEE CHART



120 VOLT WIRING

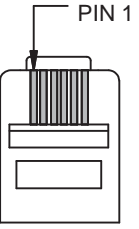
DIMENSIONS ARE Inches [mm]		DRAWN BY: Engineering		Stewart FILMSCREEN 1161 W. Sepulveda Blvd., Torrance, CA 90502 Customer Care (800) 762-4999 Fax (310) 326-6870	
TOLERANCES: +/- 1/8 in (UNLESS OTHERWISE SPECIFIED)		DRAWING TYPE: Typical			
APPROXIMATE SCREEN WEIGHT: 75 LBS		CREATION DATE: 4/14/15		TITLE	
APPROXIMATE SHIPPING WEIGHT: 173 LBS		MODEL #: CIBC138SW-6-2-5		CIMA BELOW CEILING	
CASE COLOR: White		SIZE: A	SHEET: 6 OF 7	PART NO.: 00930	REV.: A

RESTRICTION: The information contained in the proposal is confidential and proprietary to Stewart Filmscreen Corporation, shall not be disclosed beyond the vendor company, and shall not be duplicated, used, or disclosed inwhole or in part for any purpose except to evaluate this proposal.



4 PIN:

PIN	SIGNAL
1	COMMON
2	LV1
3	LV2
4	STI

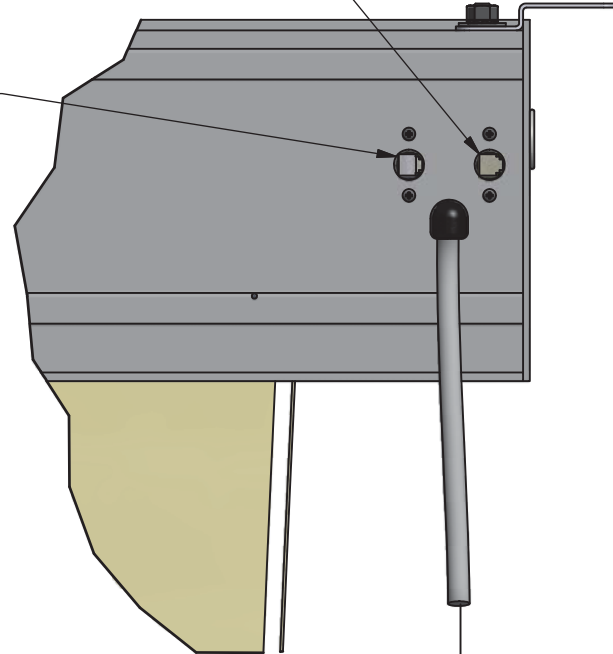


6 PIN:

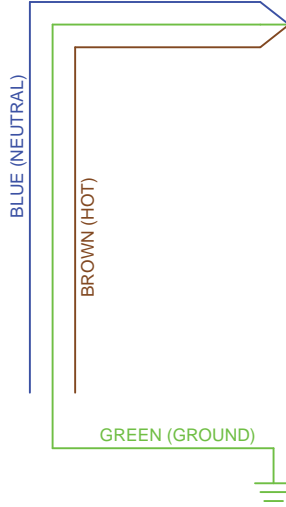
PIN	SIGNAL
1	NOT USED
2	COMMON
3	LV1
4	LV2
5	STI
6	NOT USED

ADDITIONAL RJ25 CONNECTION PORT FOR OPTIONAL CONTROLS

STI INPUT 4 PIN OR 6 PIN RJ25 CONNECTOR SEE CHART



POWER CONDUIT



220 VOLT WIRING

DIMENSIONS ARE Inches [mm]		DRAWN BY: Engineering		Stewart FILMSCREEN 1161 W. Sepulveda Blvd., Torrance, CA 90502 Customer Care (800) 762-4999 Fax (310) 326-6870	
TOLERANCES: +/- 1/8 in (UNLESS OTHERWISE SPECIFIED)		DRAWING TYPE: Typical			
APPROXIMATE SCREEN WEIGHT: 75 LBS		CREATION DATE: 4/14/15		TITLE	
APPROXIMATE SHIPPING WEIGHT: 173 LBS		MODEL #: CIBC138SW-6-2-5		CIMA BELOW CEILING	
CASE COLOR: White		SIZE: A	SHEET: 7 OF 7	PART NO.: 00930	REV.: A

RESTRICTION: The information contained in the proposal is confidential and proprietary to Stewart Filmscreen Corporation, shall not be disclosed beyond the vendor company, and shall not be duplicated, used, or disclosed inwhole or in part for any purpose except to evaluate this proposal.